



Acumen Model J

Fireplace Remote Control

Installation and Operation Instructions:

The Acumen Model J Remote Control is designed for use with decorative gas fireplace and wall heaters using Millivolt gas valve.

The Model J Transmitter is a two-button hand held transmitter, which turn the gas on/off. The display of the transmitter shows the current room temperature and low battery indicator.

Installation Precautions:

The Model J Remote Control is tested safe when installed in accordance with this installation manual. It is your responsibility to read all instruction before starting installation and to follow these instructions carefully during installation.

The Model J Remote Control **MUST** be installed by a qualified service technician.

The Model J Remote Control is carefully engineered and **MUST** be installed only as specified. If you modify it or any of its components, you may possibly cause a fire hazard.

FCC Requirements

Warning: Changes or modifications to this unit not expressly approved by the party responsible for compliance could void the user_ authority to operate the equipment. This equipment has been tested and found to comply with the limits for a Class B digital device, pursuant to Part 15 to the FCC Rules. These limits are designed to provide reasonable protection against harmful interference in a residential installation. This equipment generates, uses, and can radiate radio frequency energy and, if not installed and used in accordance with the instructions, may cause harmful interference to radio communications. However, there is no guarantee that interference will not occur in a particular installation. If this equipment does cause harmful interference to radio or television reception, which can be determined by turning the equipment off and on, the user is encouraged to try to correct the interference by one or more of the following measures:

- Reorient or relocate the receiver antenna.
- Increase the separation between the equipment and receiver.
- Connect the equipment into an outlet on a circuit different from that to which the receiver is connected.
- Consult the dealer or an experienced radio TV technician for help.

Canadian Equipment Requirements

This digital apparatus does not exceed the (class A/Class B)* limits for radio noise emissions from digital apparatus set out in the Radio Interference Regulations of the Canadian Department of Communications. Le present appareil numerique n_met pas de bruits radioelectriques depassant les limites applicables aux appareils numeriques (de la class A/de la class B)* prescrites dans le Reglement sur le brouillage radioelectrique edicte par le ministere des Communications du Canada.

This device complies with RSS-210 of Industry and Science Canada. Operation is subject to the following two conditions : (1) this device may not cause interference, and (2) this device must accept any interference, including interference that may cause undesired operation of the device.

All wiring should be done by a qualified electrician and shall be in compliance with local codes and with the National Electirc Code ANSI/NFPA No. 70-current (In the United States), or with the current CSA C22.1 Canadian Electirc Code (in Canada).

1.0 Installation Instruction

1.1 Installing the Receiver

WARNING: TURN ELECTRICAL POWER OFF AT THE CIRCUIT BEAKER BEFORE BEGINNING THIS INSTALLATION.

1. Make sure the slide switch on the Remote Receiver is at the OFF position. See Figure 1.

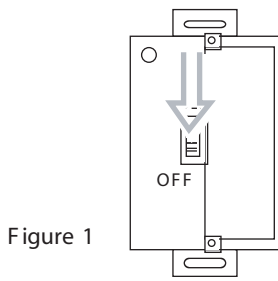


Figure 1

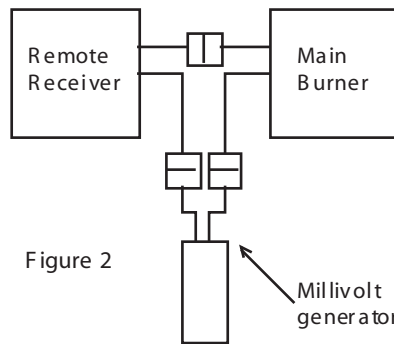


Figure 2

2. Connect the leads to the millivolt generator and the main burner to the output cable of the Remote Receiver as shown in Figure 2.

3. Installing the Remote Receiver to a Wall Mount:

- Secure the Remote Receiver to the wall mount.
- Use the screws provided to secure the face blade to the Remote Receiver. See Figure 4.

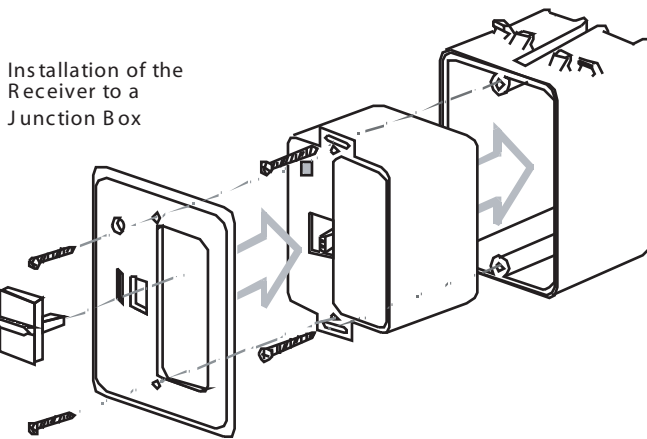


Figure 3

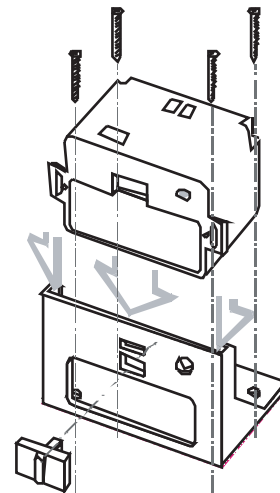


Figure 4

4. Installing the Remote Receiver to a Fireplace:

- Secure the Fireplace Mounting plate to the base pan of the fireplace.
- Slide the Remote Receiver into the fireplace mounting plate. See Figure 4.

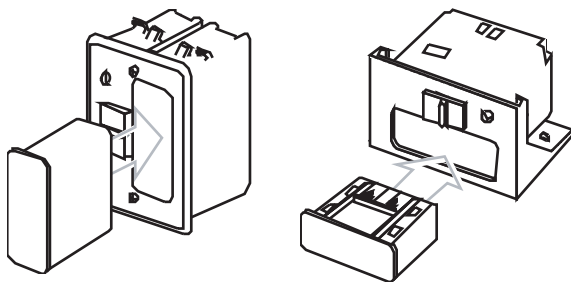


Figure 5

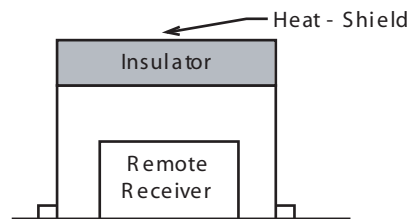


Figure 6

5. Put the switch cap to the slide switch.
6. Slide the battery compartment into the Remote Receiver. See Figure 5.
7. In order to prevent the Remote Receiver (fireplace installation only) from overheating, put a heat shield (option item) above the Remote Receiver. See Figure 6.

2.0 Operation Instructions:

2.1 Transmitter Operation

A. Flame On/Off

1. Press the On button once to turn on the fireplace.
2. Press the Off button once to turn off the fireplace.
3. The fireplace will automatic turn off after 6 hours.

WARNING: IT TAKES SOME TIME FOR THE RECEIVER TO RESPOND TO THE TRANSMITTER.DO NOT PRESS THE MANUAL AND / OR AUTO ON/OFF BUTTONS MORE THAN ONCE WITH 2 SECONDS FOR CORRECT OPERATION.

B. Child-Proof Function :

1. Remove the cover at the back of the Remote Transmitter to expose the CHILD-PROOF switch.
2. Slide the CHILD-PROOF switch to position marked C/P to activate the CHILD-PROOF function “*Child-Proof *” will appear on the LCD. See Fig 7.
3. In CHILD-PROOF the Remote Transmitter will not operate the Remote Receiver until the “child-proof” code is used or the switch is returned to the other position.
4. Press the Off button in the following sequence, Long-Short-short-Long-Short will temporarily restore button function. “*Child-Proof*” will disappear from the LCD. (Long is pressing button for longer than 0.5 second and Short is pressing the button shorter than 0.5 second.)
5. If no button is pressed within 2 minutes, the Remote Transmitter will return to Child-Proof function and “*Child-Proof*” will reappear on the LCD until the Child-Proof switch is slide back to the other position.

C. °F/°C Selection

1. Press and hold the Off button for longer than 4 seconds. The •F or •C display will blink.
2. Press the Off button to select temperature display in •F or •C.
3. The LCD will show the room temperature about 16 seconds afterward.

2.2 Receiver Operation

The Remote Receiver has 2 operation modes. They are On and Remote modes.

A. On Mode

1. In the On mode the Receiver will turn on the fireplace.
2. The Receiver will not respond to the Transmitter and turn the fireplace on and off.

B. Remote Mode

1. The Receiver will respond to the Transmitter and turn the fireplace on and off.

2.3 Changing Batteries

1. Slide the slide switch to Off position.
2. Press the battery compartment slightly into the Remote Receiver and then release. The battery compartment will pop out of the Remote Receiver.
3. Slide open the battery door and replace batteries.
4. Replace the battery door and slide the battery compartment back into the Remote Receiver.

2.4 Batteries

1. The Remote Transmitter uses 3 AAA-size batteries. Replace these batteries at least every 6 months or when the Low battery indicator on the LCD is on.
2. After you take out the batteries, wait for at least 1 minute before putting fresh batteries into the Remote Transmitter.
3. Use fresh alkaline batteries only.

WARNING: THE REMOTE TRANSMITTER WILL AUTOMATICALLY SWITCH OFF THE FIREPLACE WHEN THE BATTERIES IN THE REMOTE TRANSMITTER IS LOW.

3.0 IMPORTANT SAFETY FEATURE:

You can set a private code into your system to prevent accidental operation by another transmitter nearby. See Figure 7.

3.1 Coding Instructions:

1. Remove the cover on the back of the Remote Transmitter to expose the code switches. Slide the code switches to your choice of ON or OFF positions. FACTORY SETTING IS ALL "OFF".
2. Make sure the slide switch on the Remote Receiver is at OFF position.
3. Take the Remote Transmitter close to the fireplace or the Remote Receiver (less than 5 feet from the fireplace or Remote Receiver is recommended.)
4. Slide the slide switch on the Remote Receiver to REMOTE position.
5. Install fresh AAA alkaline batteries into the Remote Transmitter. The LCD on the Remote Transmitter will blink.
6. Press a button on the Remote Transmitter. The Remote Receiver will produce a 'beep' sound when it receives the code from the Remote Transmitter.
7. If you do not hear a 'beep' sound from the Remote Receiver, remove batteries from the Remote Transmitter and slide the slide switch on the Remote Receiver to OFF position, wait for 1 minute, and repeat step 3 to 6.
8. Replace the cover of the Remote Transmitter and the Receiver. The system is now ready to operate.
9. If you desire to operate multiple Remote Receivers with the one Remote Transmitter, continue to hold the button on the Remote Transmitter as you bring the Remote Transmitter within 5 feet of each Remote Receiver then slide the switch on the Remote Receivers to REMOTE position. Each will acknowledge receipt of coding with a beep.

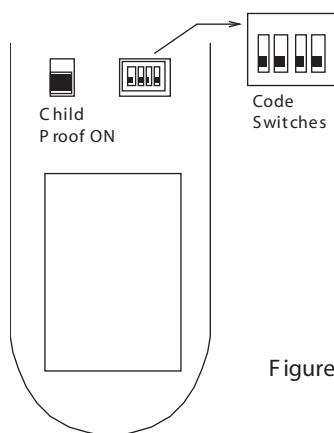


Figure 7